

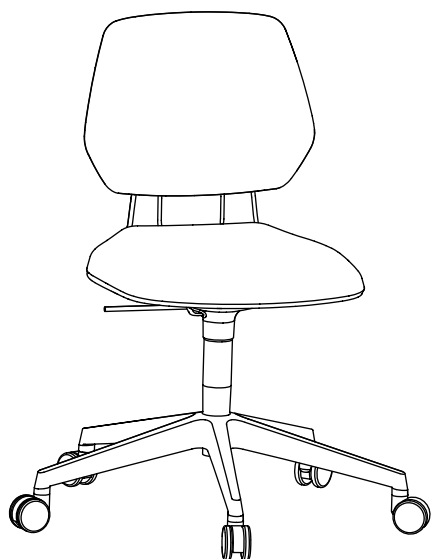


SAFCO®

COMMUTE

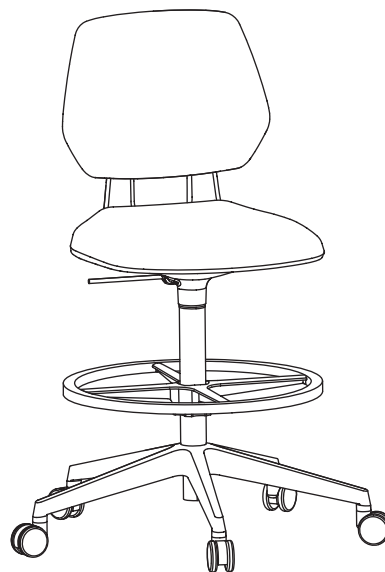
Task Chair Collection

Statement of Line



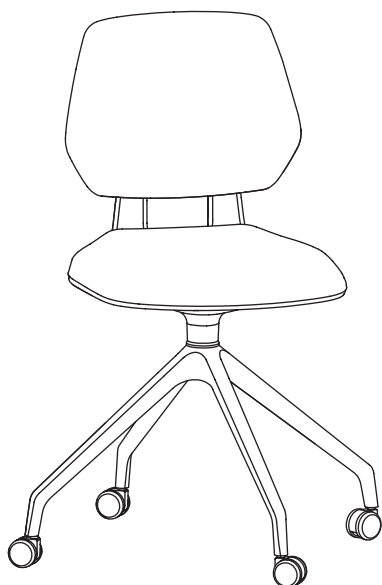
Task

Seat Height 18 $\frac{1}{4}$ "-22 $\frac{1}{4}$ "
Seat 17 $\frac{3}{4}$ "W x 18"D
Back 16 $\frac{3}{4}$ "W x 13"H
Overall 25"W x 25"D x 34"-38"H



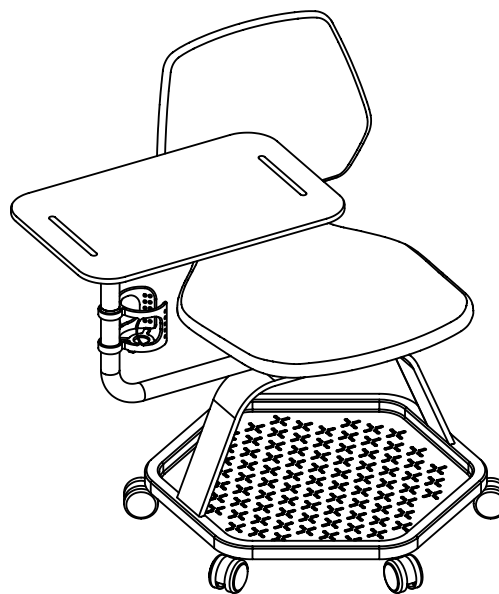
Extended-Height

Seat Height 22 $\frac{1}{4}$ " -32 $\frac{1}{4}$ "
Seat 17 $\frac{3}{4}$ "W x 18"D
Back 16 $\frac{3}{4}$ "W x 13"H
Overall 25"W x 25"D x 34"-48"H



Guest

Seat Height 19"
Seat 17 $\frac{3}{4}$ "W x 18"D
Back 16 $\frac{3}{4}$ "W x 13"H
Overall 25"W x 25"D x 34 $\frac{3}{4}$ "H



Classroom

Seat Height 17 $\frac{1}{2}$ "
Seat 17 $\frac{3}{4}$ "W x 18"D
Back 16 $\frac{3}{4}$ "W x 15"H
Tablet 20 $\frac{1}{2}$ "W x 13 $\frac{1}{4}$ "D
Overall 31 $\frac{1}{2}$ "W x 26"D x 33 $\frac{1}{4}$ "H

Task chair with arms (cover) shown in Black back, Gray handle with Origin Eureka upholstered seat

Steer clear of the mundane.

Merging design with function, the Commute task chair collection transports the everyday task chair from utilitarian to modern form. The geometric shaped back and elongated handle blend functionality with contemporary styling.

Finish Options

SHELL

Poly available in three color options



Black



Gray



Red

HANDLE

Blend in or stand out with two color options. Handle extends all the way down to the seat and can be seen peeking through the front of chair adding visual interest



Black handle



Gray handle

BASE



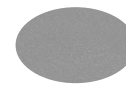
Black

Task, Guest & Extended-Height



White

Classroom



Silver

Classroom

CONFIGURED OPTIONS

Upholstered seat, arms, casters and foot ring

Classroom chair only

- Tablet available in White or Black
- Tablet arm will match base color chosen, White or Silver
- Base shelf and drink holder come standard



Collection Features

Form & function

Integrated handle design for hanging bag or jacket



Comfort

Synchronous-flex and swivel motion provide comfort and movement



Durable

Bridge the gap between industrial and office with easy to clean, durable surfaces for active workspaces

